



[ Light Modular  
More Efficient ]

**WS WHEEL BLOCK**

**HENAN SINOMAC INDUSTRIAL CO., LTD**

✉ [info@henmach.com](mailto:info@henmach.com)

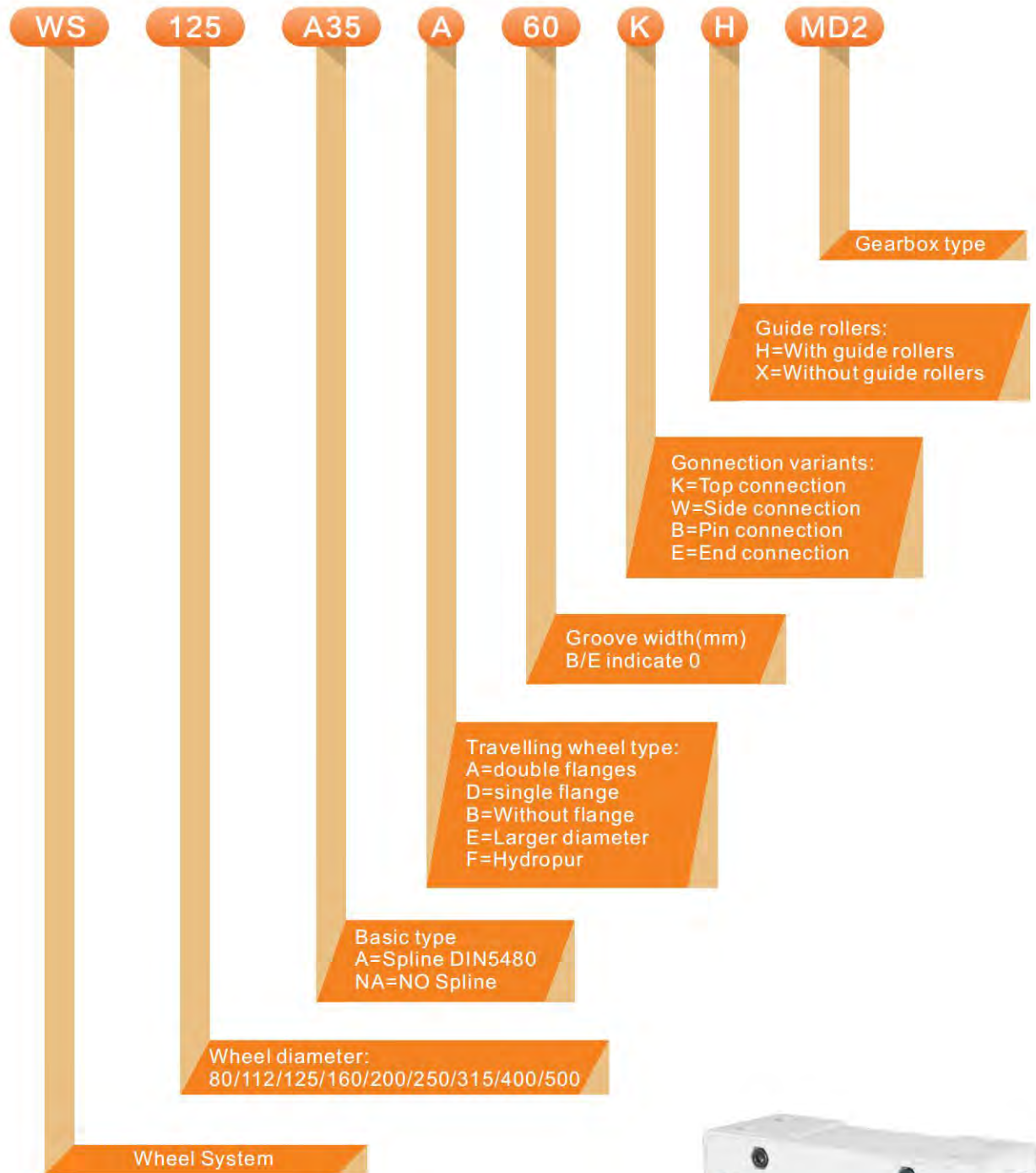
🌐 [www.hnsinomac.com](http://www.hnsinomac.com)

☎ +85 166 5035 8998 (WhatsApp & WeChat)

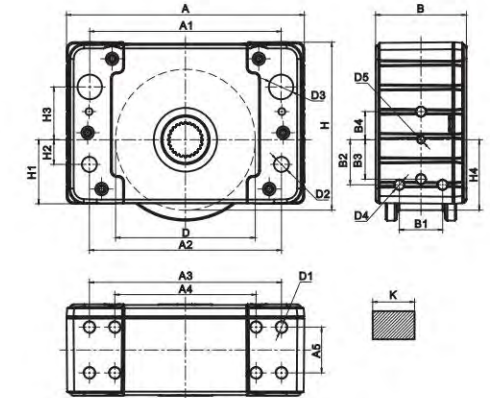
📍 No. 216, Guijiang Street, Zhengzhou, Henan, China. PO# 450000



## WS Wheel Block



## WS Wheel Block



## Technical Parameters

Type D	A mm	B mm	H mm	K mm	H1 mm	H2 mm	H3 mm	H4 mm	B1 mm	B2 mm	B3 mm	B4 mm
WS80	140	74	95	40	36	25	30	40	40	20	-	15.5
WS112	190	96	131	55	47	30	40	80	40	30	-	24
WS125	220	98	147.5	55	53.5	20	40	100	50	37	-	37.5
WS160	275	110	187	60	70	25	55	100	54	47.5	-	20
WS200	340	130	238	60	90	35	75	100	62	64	56	40
WS250	385	150	281	75	89	50	80	100	-	-	-	-
WS315	470	180	349.5	90	114	70	80	100	-	-	-	30
WS400	580	210	440	-	144	95	130	100	-	-	-	30
WS500	700	240	566	-	183	110	160	100	-	-	-	30

Type D	A1 mm	A2 mm	A3 mm	A4 mm	A5 mm	D1	D2 mm	D3 mm	D4	D5	Weight kG	Max.Load kN
WS80	110	110	110	-	31	4xM12	9	15	4xM12	2xM12	4	15
WS112	145	145	145	-	45	4xM12	10.5	18.5	4xM12	2xM12	10	27.5
WS125	175	175	170	-	55	4xM12	13	21	4xM12	2xM12	15	50
WS160	220	220	220	-	55	4xM16	17	30	4xM16	2xM12	26	70
WS200	275	275	275	-	65	4xM16	20	35	8xM16	2xM12	41	100
WS250	310	310	290	140	80	8xM16	34F8	40	2xM12	-	70	160
WS315	370	370	360	180	100	8xM16	40F8	50	2xM12	2xM20	130	220
WS400	450	450	440	210	120	8xM20	31H13	65	2xM12	2xM20	220	300
WS500	580	580	620	480	125	8xM20	31H13	70	2xM12	2xM20	380	400

## Application case

